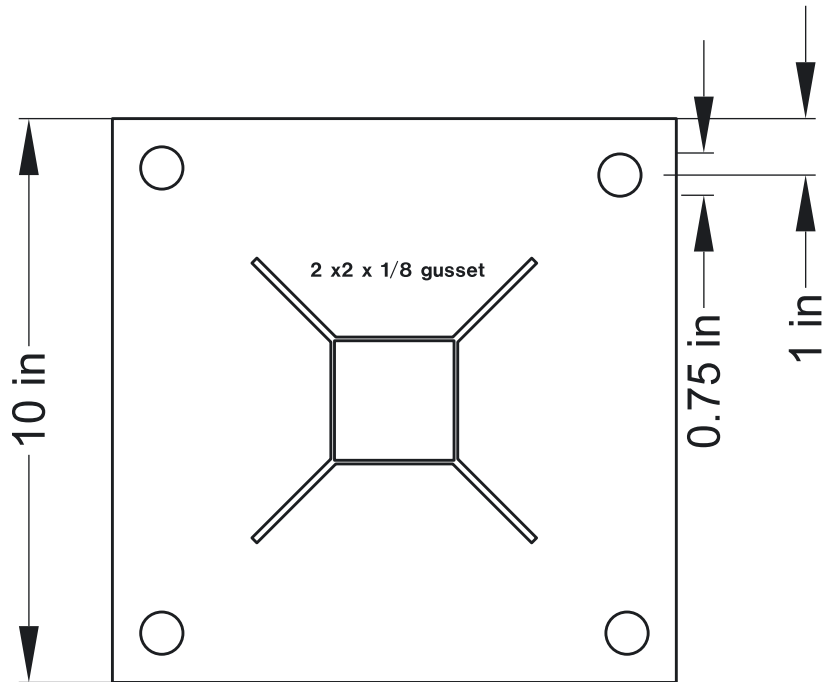
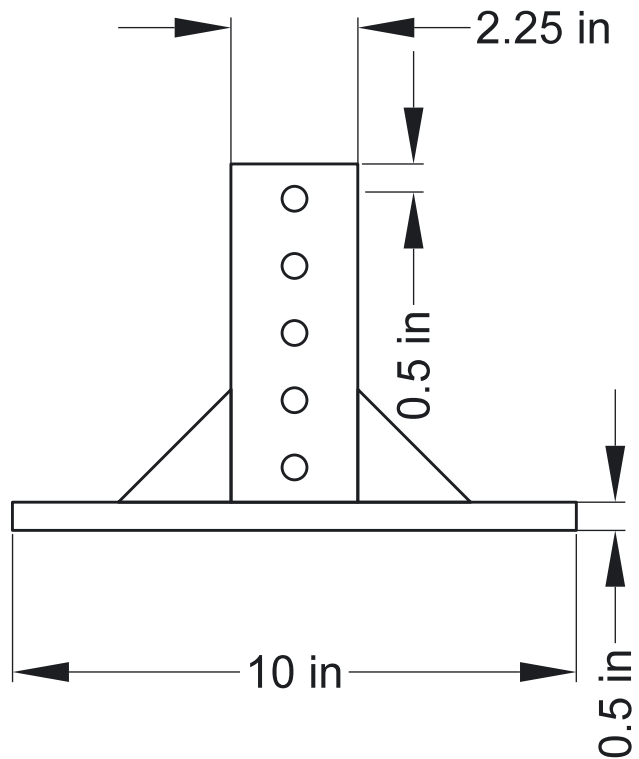




REVISIONS				
ZONE	REV	DESCRIPTION	DATE	APPROVED



**2 1/4 x 2 1/4 x 12 gage
stub with 7/16 hole**



PACIFIC PRODUCTS 7323 LYNWOOD WAY HIGHLAND CA 92346	SURFACE MOUNTS			
	LA COUNTY SURFACE MOUNT			
800-320-3230	SIZE	FSCM NO.	DWG NO.	REV
	SCALE	4/8/21		SHEET