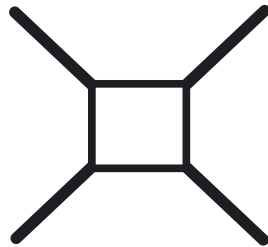
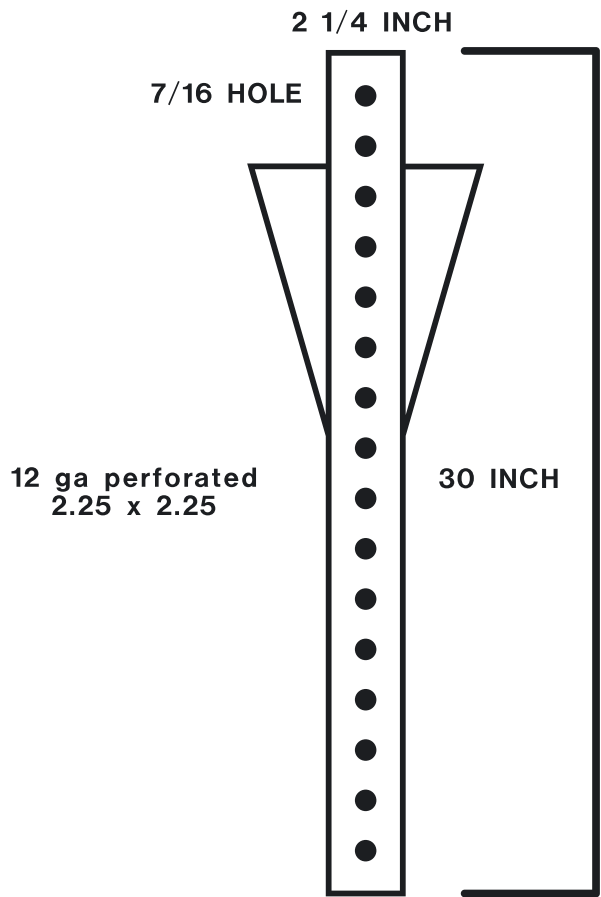




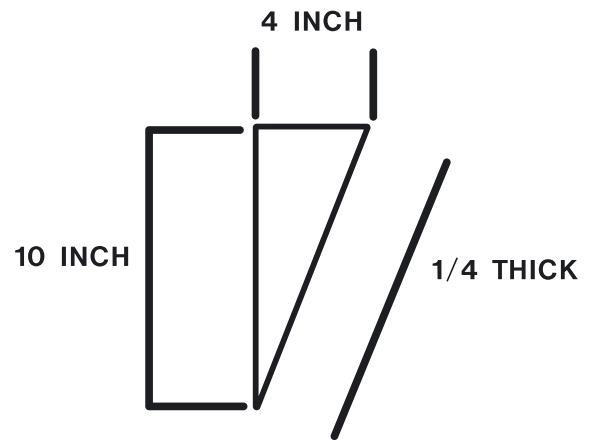
REVISIONS				
ZONE	REV	DESCRIPTION	DATE	APPROVED



PLAN VIEW



ELEVATION



PACIFIC PRODUCTS 7323 LYNWOOD WAY HIGHLAND CA 92346	OMNI ANCHOR			
800-320-3230	SIZE	FSCM NO.	DWG NO.	REV
	SCALE	12/12/17		SHEET