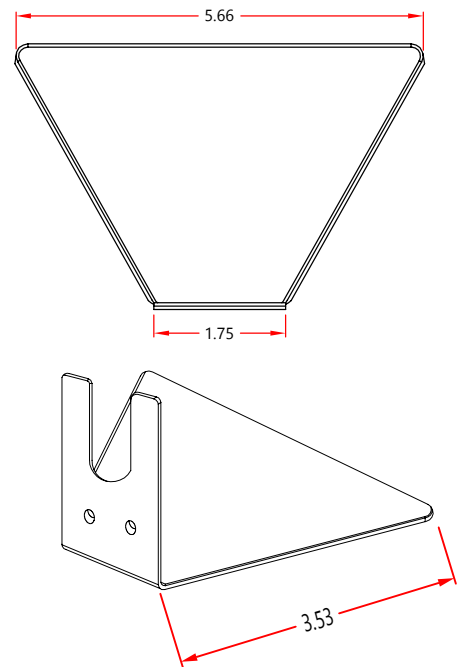
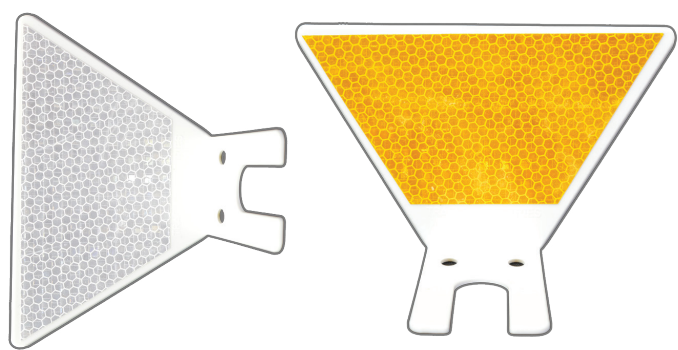


TI-GF1



FEATURES

- Designed to increase visibility
- Perfect for W-beam guardrail
- One or two way sheeting
- Fast and easy installation
- Fast Shipping
- Mash compliant

SPECIFICATIONS

- Ideal for placement within the channel on steel guardrail.
- Made from impact resistant recycled composite material.
- 11.5 square inches of reflectivity.
- Install with the existing buttonhead bolt, self-tapping screws or epoxy.

AVAILABLE SHEETING



TECHNICAL INFORMATION

Height: 3.53"
Width: 5.66"
Materials: Recycled ABS

 Office: 800.320.3230
 Email: anthony@pacificproductsandservices.com
 www.pacificproductsandservices.com
 Pacific Products and Services
7323 Lynwood Way
Highland, CA. 92346

