

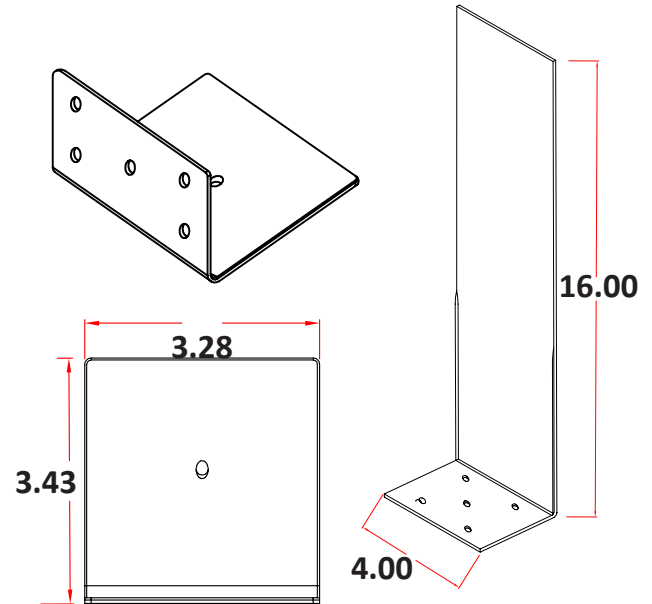
CTB BARRIER REFLECTORS



TI-CTB3



TI-CTB16



FEATURES

- Designed to increase visibility of CTB
- Available with one or two way sheeting
- Contains uv stabilizer for longer life cycle
- Fast and easy installation
- Fast Shipping
- MASH compliant

SPECIFICATIONS

- Ideal for delineating concrete barrier walls.
- Bases are pre-drilled for epoxy or bolt style mounting.
- Multiple sheeting colors and grades available.
- CTB3 - 10.5 square inches of reflectivity.
- CTB16 - up to 45 square inches of reflectivity.

AVAILABLE SHEETING



TECHNICAL INFORMATION


CTB3
Height: 3.43"
Width: 3.28"
Materials: Recycled ABS

CTB16
Height: 16"
Width: 4"
Materials: HIPS w/ uv stabilizer

 Office: 800.320.3230

 Email: anthony@pacificproductsandservices.com

 www.pacificproductsandservices.com

 Pacific Products and Services
7323 Lynwood Way
Highland, CA. 92346

