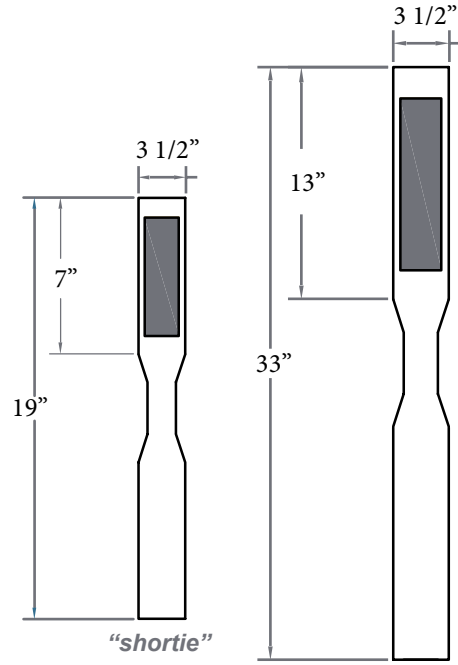


# GUARDRAIL "FLAT MOUNT"



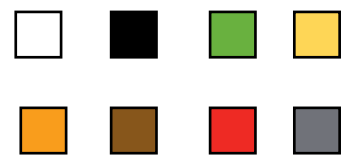
## FEATURES

- Designed to increase visibility of guardrail
- Post size 19" or 33"
- Highly visible reflectivity
- Multiple color post and reflectivity options
- Premium UV added for long lasting color
- Hardware included
- Fast and easy installation
- MUTCD compliant

## SPECIFICATIONS

- Made from impact resistant recycled composite material designed for mounting on guardrail posts or block outs.
- Posts are manufactured with greater wall thickness to provide structural integrity allowing it to hold up to wind and snow plow windrows.
- Standard posts are permanently sealed and partially flattened to accommodate a 3" x 3" and up to a 3" x 12" piece of reflective sheeting.
- The "shortie" was designed to accommodate the passing of snow plows.
- Installed with two self tapping screws on metal or two lag screws for wood post

### AVAILABLE POST COLORS



### TECHNICAL INFORMATION

Post Diameter: 2.375" OD  
Post Heights: 13" up to 33"  
Materials: High Density Thermoplastic

 Office: 800.320.3230  
 Email: [anthony@pacificproductsandservices.com](mailto:anthony@pacificproductsandservices.com)  
 [www.pacificproductsandservices.com](http://www.pacificproductsandservices.com)  
 Pacific Products and Services  
7323 Lynwood Way  
Highland, CA. 92346

