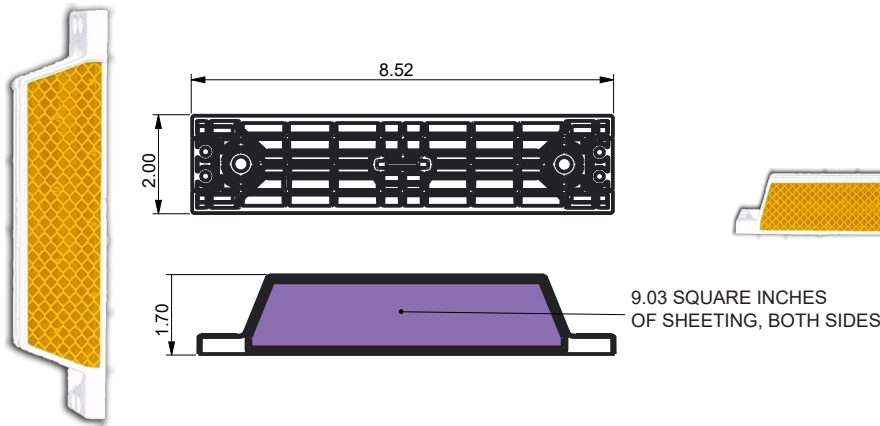
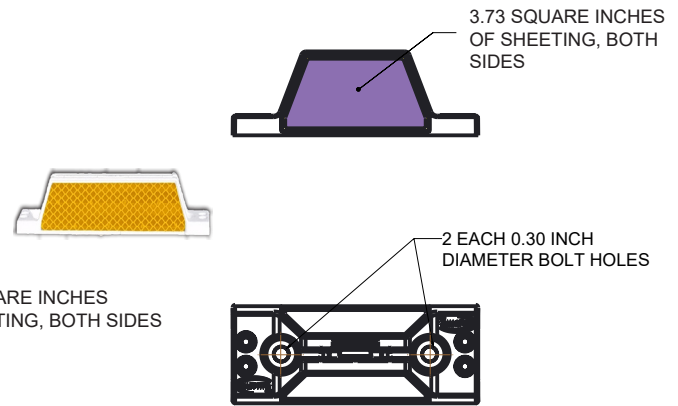


GS9 Side Snap



GS3 Top Snap



FEATURES

- Designed to increase visibility of CTB
- Highly visible reflectivity
- Fast and easy installation
- Labor Savings
- Premium UV added for long lasting color
- Base can be bolted or epoxied
- Stronger installation methods than other cheap products
- MUTCD compliant

SPECIFICATIONS

- Designed for vertical delineation of barrier wall.
- Made from ASA material which offers outstanding weather resistance and durability.
- Available with a 4 x 4 reflector panel in multiple sheeting specification offering up to 12 square inches of max reflectivity per side.
- Installed with two 1/4" concrete rivet anchors or tapcon screws.
- Top Snap includes 3.73 square inches of max reflectivity per side.
- Side Snap includes 9.03 square inches of max reflectivity per side.

Available Reflector Panel

4" X 4"

TECHNICAL INFORMATION

Base Size: Top Snap: 2" X 5"
 Base Size: Side Snap: 2" X 9"
 Materials: ASA Resin

AVAILABLE BASE COLORS



Office: 800.320.3230



Email: anthony@pacificproductsandservices.com



www.pacificproductsandservices.com



Pacific Products and Services
 7323 Lynwood Way
 Highland, CA. 92346



