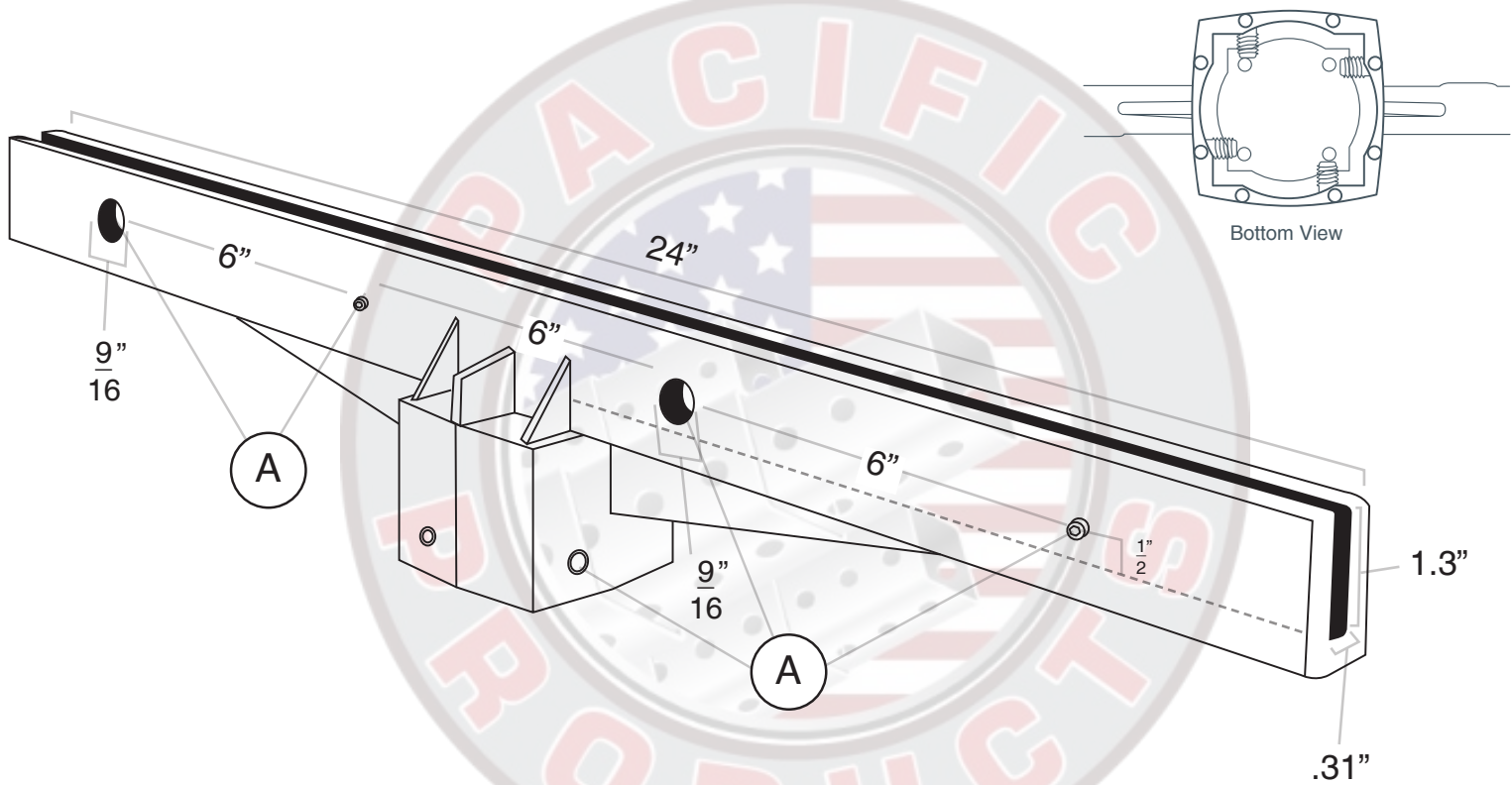
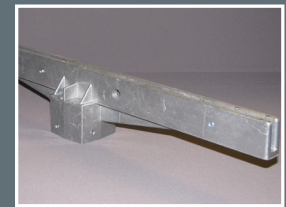




MEGA-LOC® Universal Post Cap 240UNX200



Description	Fasteners	Blade Holder Length	Blade Type	Recommended for Blade Length	Units/Box
<p>2" Universal Cap for Round and Square Post</p> <ul style="list-style-type: none"> • Use interchangeably on 2 3/8" OD Round and 2" Square Posts • Patent pending • Weight: 3.65 lbs. 	<p>INCLUDED:</p> <p>(A) 5/16" - 18 x 1/2" Set Screw Qty: 8</p> <p>OPTIONAL:</p> <ul style="list-style-type: none"> • VP Button Head Set Screws B-VPSS51638-MS <ul style="list-style-type: none"> • 12 point Bolts B-12P51612-AL • VP Button Head Bolt VPBH51634-MS 	24"	Extruded	54" and above	10

INSTALLATION:

- 9/16" clearance holes allow secure and balanced installation
- 25-40 pounds of pressure is sufficient to secure sign
- Fasteners come pre-installed

QUALITY:

- Die Cast Brackets are cast from high strength aluminum under 400 tons pressure.
- Tensile strength 45,000 P.S.I. tumbled and degreased for smoothness and ease of handling.