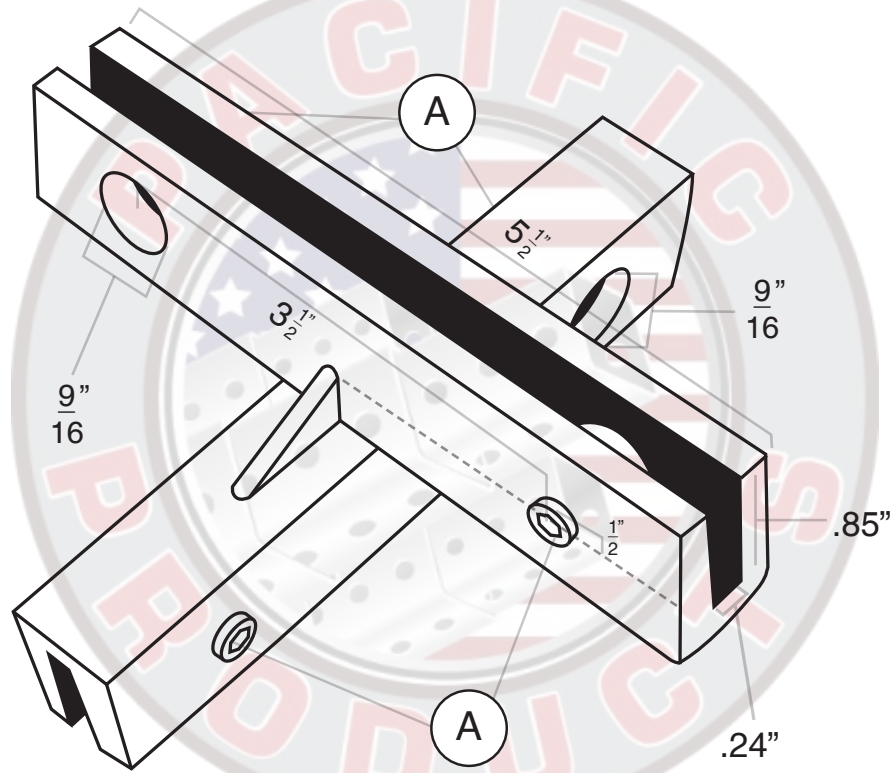
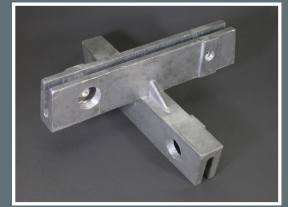




90° Cross Piece

512CPX090



Description	Fasteners	Blade Holder Length	Blade Type	Recommended for Blade Length	Units/Box
90° Cross Piece • Weight: .55 lbs.	INCLUDED: (A) 5/16" - 18 x 1/2" Set Screw Qty: 4 OPTIONAL: • VP Button Head Set Screws B-VPSS51638-MS • 12 point Bolts B-12P51612-AL • VP Button Head Bolt VPBH51634-MS	5.5"	Extruded	18" - 30"	50

INSTALLATION:

- 9/16" clearance holes allow secure and balanced installation
- 25-40 pounds of pressure is sufficient to secure sign
- Fasteners come pre-installed

QUALITY:

- Die Cast Brackets are cast from high strength aluminum under 400 tons pressure.
- Tensile strength 45,000 P.S.I. tumbled and degreased for smoothness and ease of handling.