

WORKS A-FRAME BARRICADE PARADE BARRICADE TD3000 MODEL

MEETS MUTCD STANDARDS AND NCHRP350 SELF-CERTIFIED



FEATURES:

- Lightweight features allows for ease of handling.
- Withstands the strongest of impacts.
- Manufactured from a specially formulated plastic compound utilizing polymer protection UV stabilizer.
- Available with TD4200 (2"x8") extruded plastic boards in any length desired.
- A-Frame legs with rails inserted are angled 15° for greater stability.
- Top rail is 36.5" above ground to conform to MUTCD standards.
- Can be used as a Type I or Type II barricade or a sign stand.

COLORS AVAILABLE:

The TD3000 Works Parade Barricades are currently available in white. Three D Traffic Works can manufacture this product to your desired color.

GENERAL INFORMATION:

General information is listed on the reverse side. The measurements provided are intended only as a source of information. They are given without guarantee and are not classified as a warranty. A specification will be sent to you upon request.



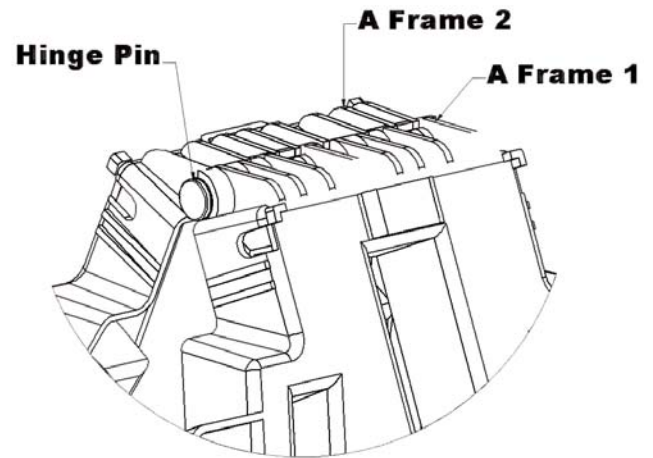
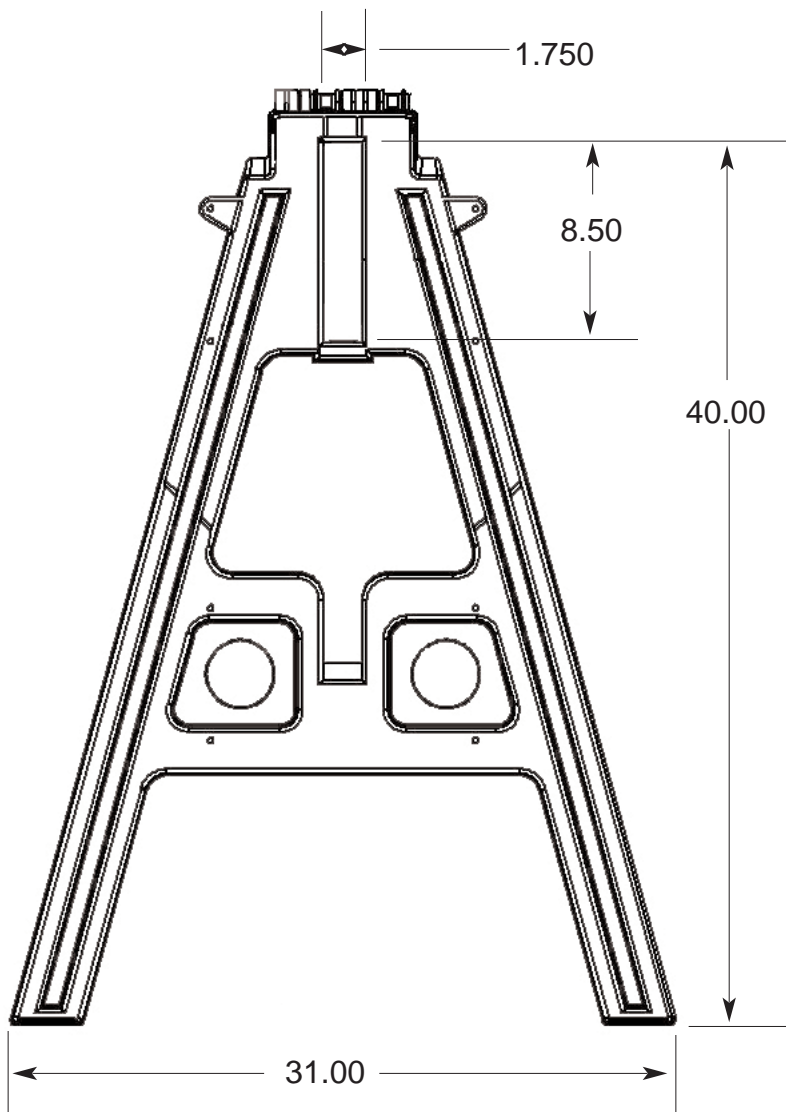
**MADE IN
USA**



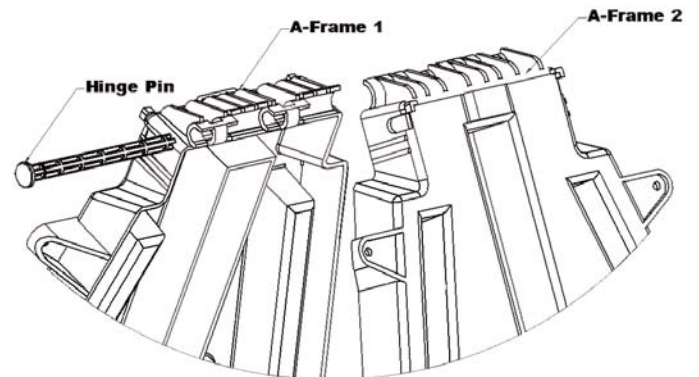
MADE IN
USA

TD3000 Works A-Frame Barricade Specifications

- A-Frame Leg Dimensions:
Thickness: 1.8 Inches
Width: 31 Inches
Height: 42 Inches
Weight: 6.5 lbs.
- Boards available in 4 Foot through 20 Foot Lengths.
- Each Hinge contains polymer pin for connecting two legs together for Type I or II barricade and sign stand application.
- Parade barricade application consists of two TD3000 A-Frame legs and one or two TD4200 Model plastic boards.
- Material: UV Stabilized Polymer Ally with a Cold Weather Protection Package.
- Color: White
- All sheeting complies with ASTM4956.01



A-Frame Hinge Assembly



A-Frame Hinge Assembly Exploded View